

LIQUID RING VACUUM PUMPS

Two Stage

GMP 250/160 - GMP 250/200 - GMP 250/240

Pressure Range : 33 - 1013 mbar
Suction Capacity : 330 - 610 m³/h



GÜCÜM Two Stage Liquid Ring Vacuum Pumps are used for pumping dry and wet gases, small quantities of liquid can be handled. They are used in the areas at which vacuum needed between the pressures 1013 to 33 mbar.

GÜCÜM Two Stage Liquid Ring Vacuum Pumps have the below features:

- * Able to pump every kind of gases and vapours,
- * Able to handle small quantities of liquid with gases,
- * Oil-free, no need to lubrication,
- * Pumped gas do not touch the oil,
- * Minimum maintenance with high efficiency,
- * No metallic contact of the rotating parts,
- * Works quiet and reduced vibration,
- * Nearly everywhere used with suitable material choices.

Service Liquid

During pump working, service liquid must be supplied to replenish the liquid ring and to cool the pump (generally water is used). The exhausted liquid could be used again after separating the gas inside of it.

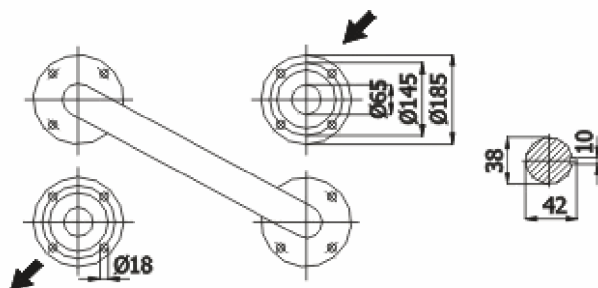
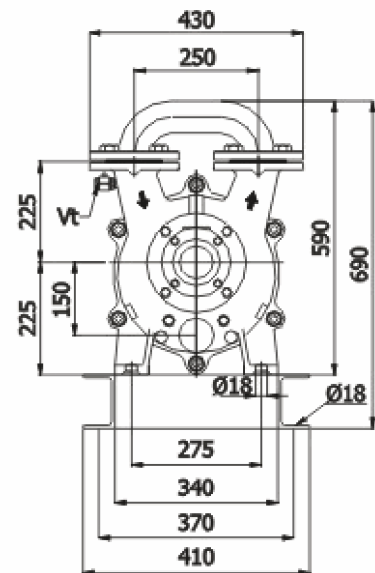
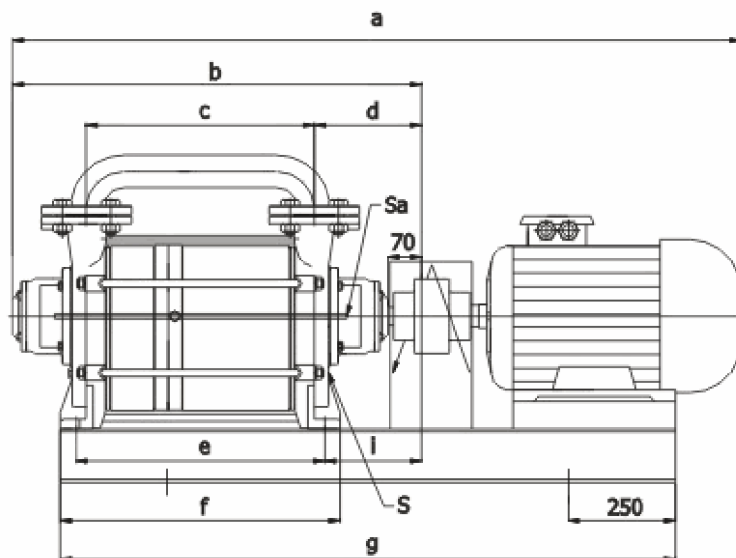
The direction of the rotation is clockwise, when looking from the motor on the pump.



TECHNICAL PROPERTIES

Properties	Unit	GMP 250/160	GMP 250/200	GMP 250/240
Motor Power	kW	15	18,5	22
Motor Speed	rpm	1450		
Max. Service liquid flow	lt/min	40	45	50
Max. Admissible pressure difference	bar	1,1		
Max. Gas temperature	°C	100		
Max. Service liquid temperature	°C	70		
Max. Service liquid viscosity	mm ² /s	4		
Sound pressure level (at 80 mbar suc. pressure)	dB A	76 ±3		
Max. Service liquid density	kg/m ³	1200		
Max. Flow resistance of the heat exchanger	bar	0,2		

OVERALL DIMENSIONS



('): For Mechanical Seal Types
 Sa : Water inlet for soft packing G 3/8"
 S : Service Liquid Inlet G 1"
 Vt : Anti-Cavitation Valve G 1/2"

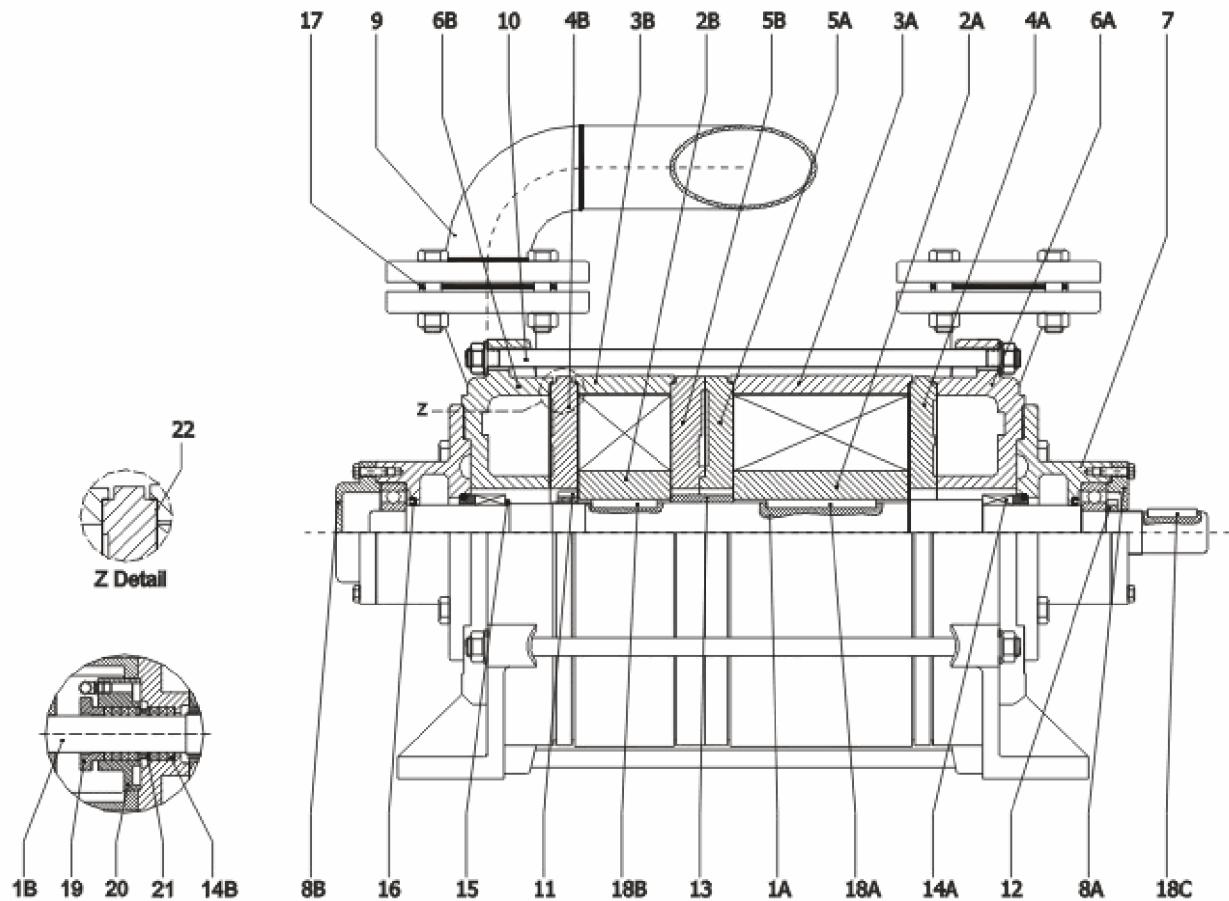
MODEL	a	a'	b	b'	c	d	d'	e	f	g	g'	i	i'	Weight	Weight
														(bare shaft)	(complete with motor)
														kg	kg
GMP 250/160	1595	1415	970	790	460			540	580	1360	1270			205	385
GMP 250/200	1690	1510	1010	830	500	285	195	580	620	1400	1310	240	150	223	430
GMP 250/240	1780	1600	1065	885	555			635	675	1490	1400			238	465

MATERIALS

Part Name	Standard Construction	Stainless Steel Construction
Suction&Discharge Casing	GG 25 Cast Iron	AISI 304-AISI 316 St. Steel
Plates	GGG 40 Sph. Cast Iron	AISI 304-AISI 316 St. Steel
Body	GGG 40 Sph. Cast Iron	AISI 304-AISI 316 St. Steel
Shaft	AISI 420 Stainless Steel	AISI 304-AISI 316 St. Steel
Impellers	G Cu Sn 9 Bronze	AISI 304-AISI 316 St. Steel
Mechanical Seal	Si. Carbide/ Carbon/Viton	Cr Ni Mo Steel/Carbon/Viton

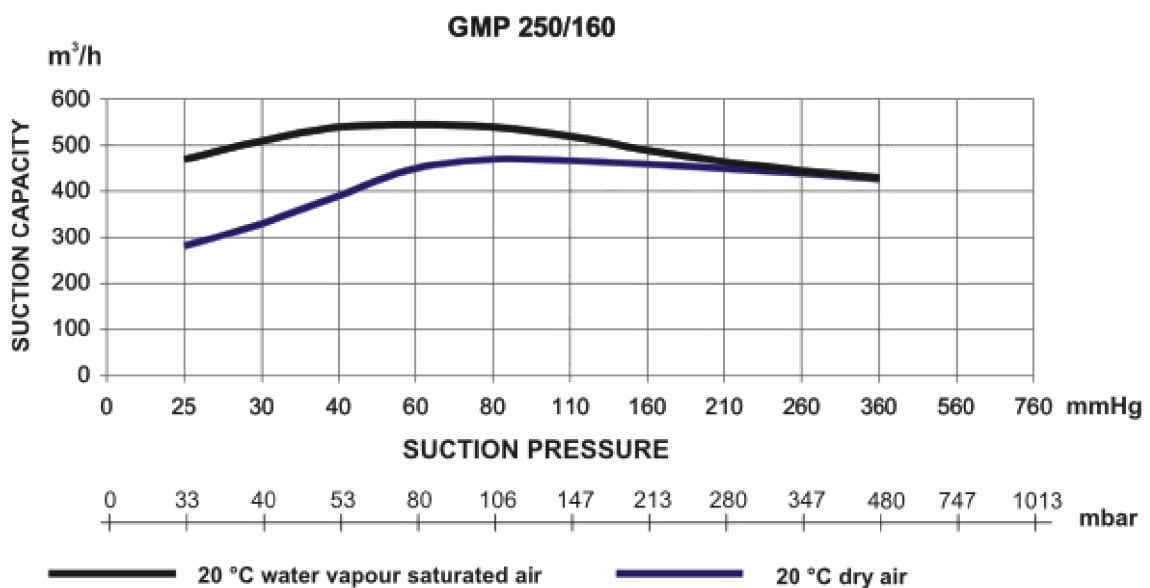
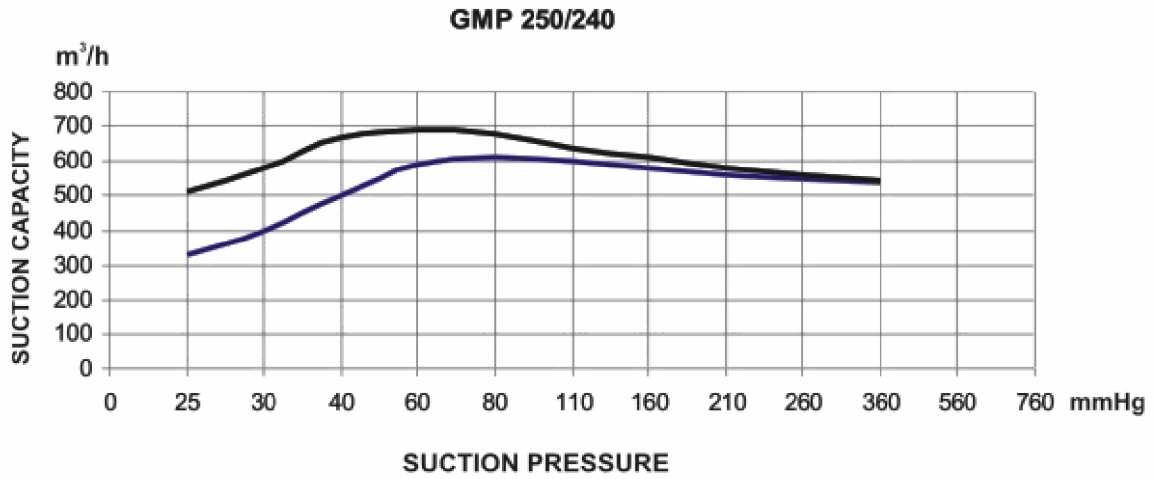
SECTIONAL DRAWING AND PART LIST

GMP 250/160 - GMP 250/200 - GMP 250/240



No	Part Name	No	Part Name
1A	Shaft (Mechanical Seal)	10	Tie Rod
1B	Shaft (Soft Packing)	11	Impeller Nut
2A	First Impeller	12	Bearing Nut
2B	Second Impeller	13	Impeller Spacer
3A	First Casing	14 A	Mechanical Seal
3B	Second Casing	14 B	Soft Packing
4A	Suction Plate	15	Mech. Seal Spacer
4B	Discharge Plate	16	O-ring
5A	First Intermediate Plate	17	Gasket
5B	Second Intermediate Plate	18 A	First Impeller Key
6A	Suction Casing	18 B	Second Impeller Key
6B	Discharge Casing	18 C	Coupling Key
7	Bearing Carrier	19	Gland
8A	Bearing Cover	20	Stuffing Box
8B	Bearing End Cover	21	Lantern Ring
9	Branch Pipe	22	Paper Gasket

CHARACTERISTIC CURVES



The capacities shown at the graph are for 760 mmHg atmosphere pressure and service liquid temperature 15 °C . Tolerance of the curves are 10% .