

LIQUID RING VACUUM PUMPS

Single Stage

GMVT 275/220 - GMVT 275/260 - GMVT 275/300

Pressure Range : 33 - 1013 mbar
Suction Capacity : 450 - 830 m³/h



GÜCÜM Single Stage Liquid Ring Vacuum Pumps are used for pumping dry and wet gases, small quantities of liquid can be handled. They are used in the areas at which vacuum needed between the pressures 1013 to 33 mbar.

GÜCÜM Single Stage Liquid Ring Vacuum Pumps have the below features:

- * Able to pump every kind of gases and vapours,
- * Able to handle small quantities of liquid with gases,
- * Oil-free, no need to lubrication,
- * Pumped gas do not touch the oil,
- * Minimum maintenance with high efficiency,
- * No metallic contact of the rotating parts,
- * Works quiet and reduced vibration,
- * Nearly everywhere used with suitable material choices.

Service Liquid

During pump working, service liquid must be supplied to replenish the liquid ring and to cool the pump (generally water is used). The exhausted liquid could be used again after separating the gas inside of it.

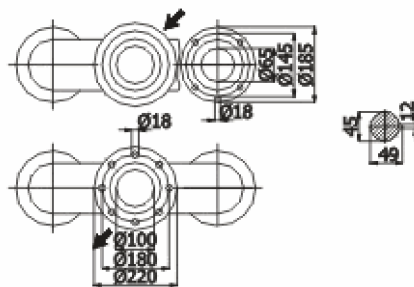
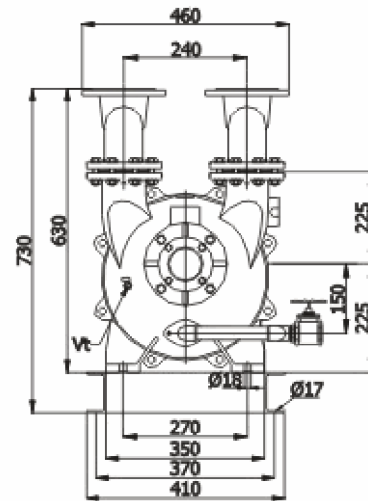
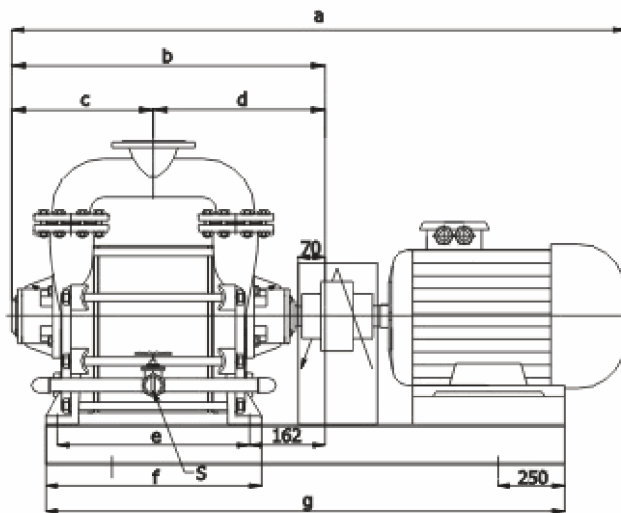
The direction of the rotation is clockwise, when looking from the motor on the pump.



TECHNICAL PROPERTIES

Properties	Unit	GMVT 275/220	GMVT 275/260	GMVT 275/300
Motor Power	kW	15	18,5	22
Motor Speed	rpm	1450		
Max. Service liquid flow	lt/min	50	55	60
Max. Admissible pressure difference	bar	1,1		
Max. Gas temperature	°C	100		
Max. Service liquid temperature	°C	70		
Max. Service liquid viscosity	mm ² /s	4		
Sound pressure level (at 80 mbar suc. pressure)	dB A	75 ±3		
Max. Service liquid density	kg/m ³	1200		
Max. Flow resistance of the heat exchanger	bar	0,2		

OVERALL DIMENSIONS



S : Service Liquid Inlet G 1"
Vt : Anti-cavitation Valve G 1/2"

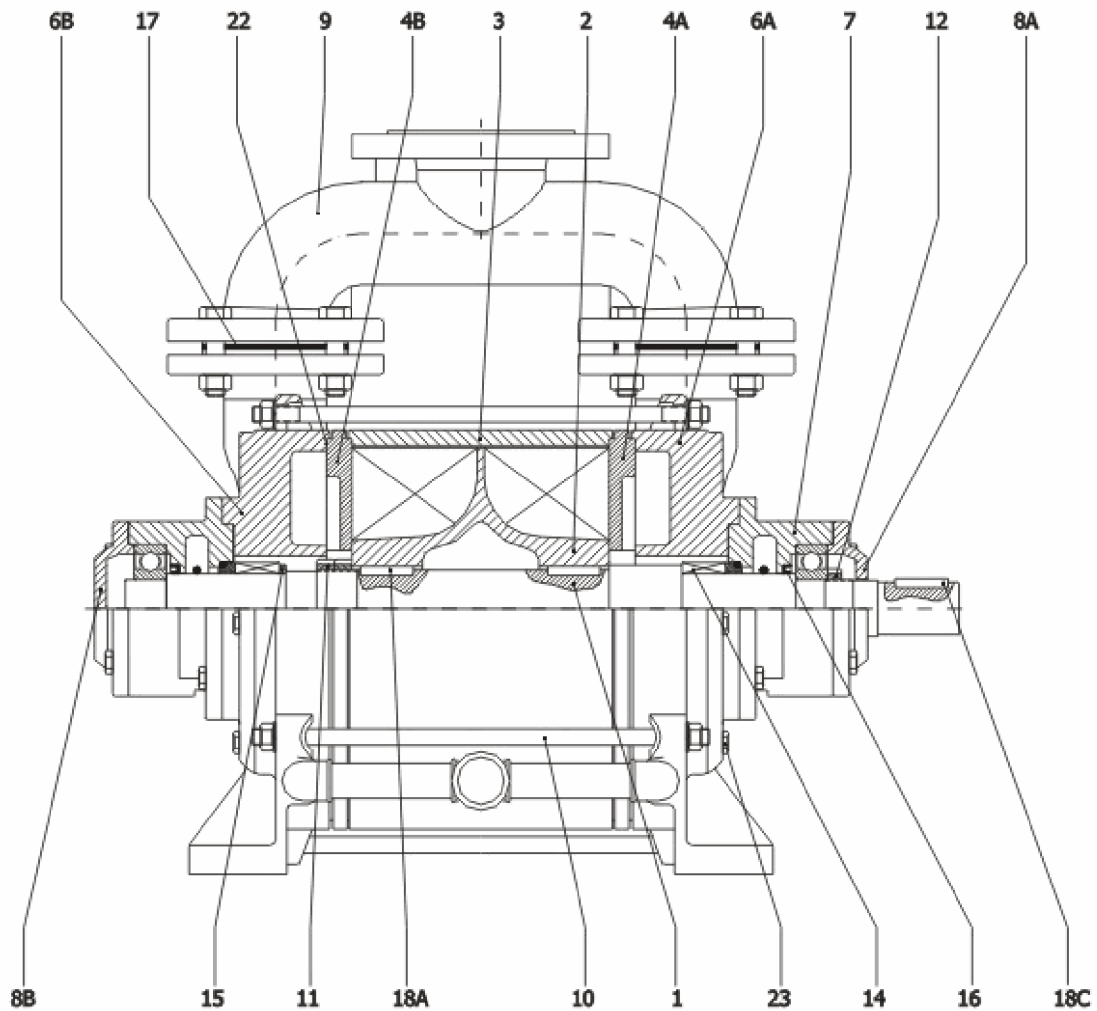
MODEL	a	b	c	d	e	f	g	Weight (bare shaft) kg	Weight (complete with motor) kg
GMVT 275/220	1370	705	315	390	430	465	1150	215	395
GMVT 275/260	1425	745	335	410	470	505	1190	225	420
GMVT 275/300	1505	785	355	430	510	545	1280	237	460

MATERIALS

Part Name	Standard Construction	Stainless Steel Construction
Suction&Discharge Casing	GG 25 Cast Iron	AISI 304-AISI 316 St. Steel
Plates	AISI 304 St. Steel	AISI 304-AISI 316 St. Steel
Body	St 37 Steel	AISI 304-AISI 316 St. Steel
Shaft	AISI 420 Stainless Steel	AISI 304-AISI 316 St. Steel
Impeller	G Cu Sn 9 Bronze	AISI 304-AISI 316 St. Steel
Mechanical Seal	Si. Carbide/ Carbon/Viton	Cr Ni Mo Steel/Carbon/Viton

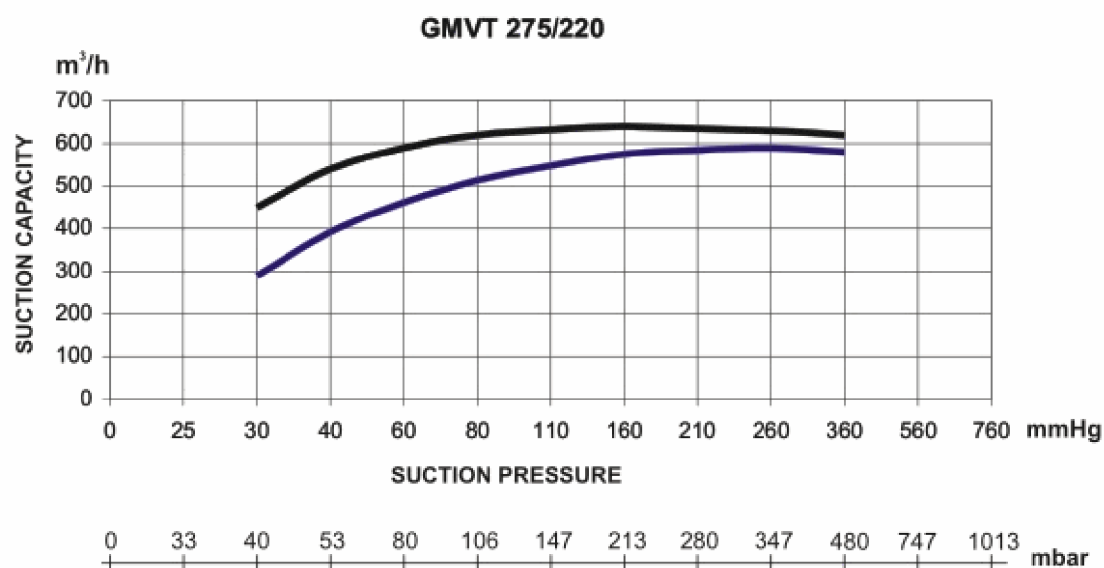
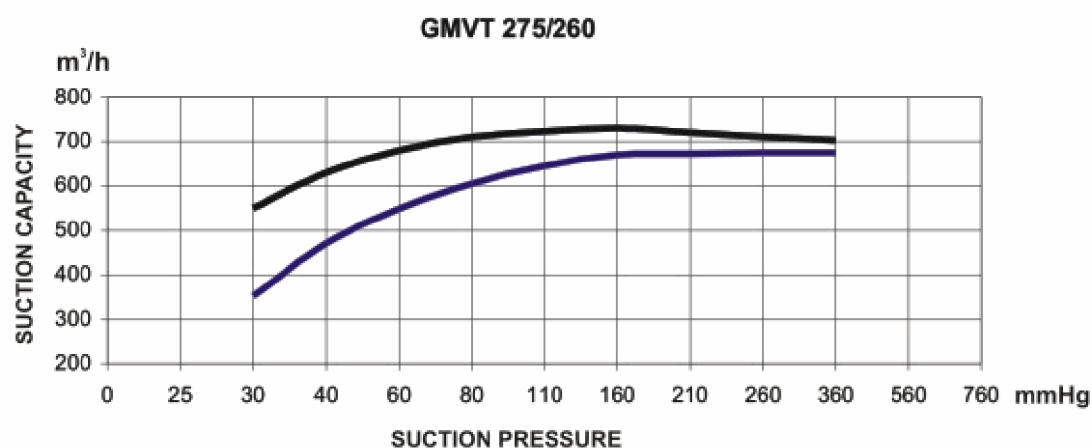
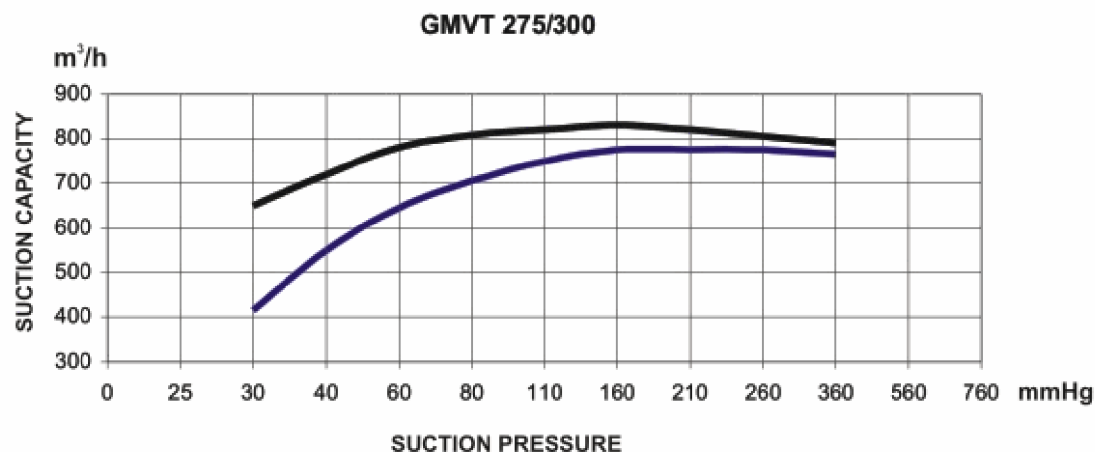
SECTIONAL DRAWING AND PART LIST

GMVT 275/220 - GMVT 275/260 - GMVT 275/300



No	Part Name	No	Part Name
1	Shaft	10	Tie Rod
2	Impeller	11	Impeller Nut
3	Casing	12	Bearing Nut
4A	Suction Plate	14	Mechanical Seal
4B	Discharge Plate	15	Mec. Seal Spacer
6A	Front Casing	16	O-ring
6B	Back Casing	17	Gasket
7	Bearing Carrier	18 A	Impeller Key
8A	Bearing Cover	18 C	Coupling Key
8B	Bearing End Cover	22	Paper Gasket
9	Brach Pipe	23	Plug

CHARACTERISTIC CURVES



20 °C water vapour saturated air
 20 °C dry air

The capacities shown at the graph are for 760 mmHg atmosphere pressure and service liquid temperature 15 °C . Tolerance of the curves are 10% .