

LIQUID RING VACUUM PUMPS

Monoblock

GMVP 200/055 - GMVP 200/065 - GMVP 200/085

Pressure Range : 33 - 1013 mbar
Suction Capacity : 35 - 140 m³/h



GÜCÜM Single Stage Liquid Ring Vacuum Pumps are used for pumping dry and wet gases, small quantities of liquid can be handled. They are used in the areas at which vacuum needed between the pressures 1013 to 33 mbar.

GÜCÜM Single Stage Liquid Ring Vacuum Pumps have the below features:

- * Able to pump every kind of gases and vapours,
- * Able to handle small quantities of liquid with gases,
- * Oil-free, no need to lubrication,
- * Pumped gas do not touch the oil,
- * Minimum maintenance with high efficiency,
- * No metallic contact of the rotating parts,
- * Shaft not contact with the medium,
- * Works quiet and reduced vibration,
- * Nearly everywhere used with suitable material choices.

Service Liquid

During pump working, service liquid must be supplied to replenish the liquid ring and to cool the pump (generally water is used). The exhausted liquid could be used again after seperating the gas inside of it.

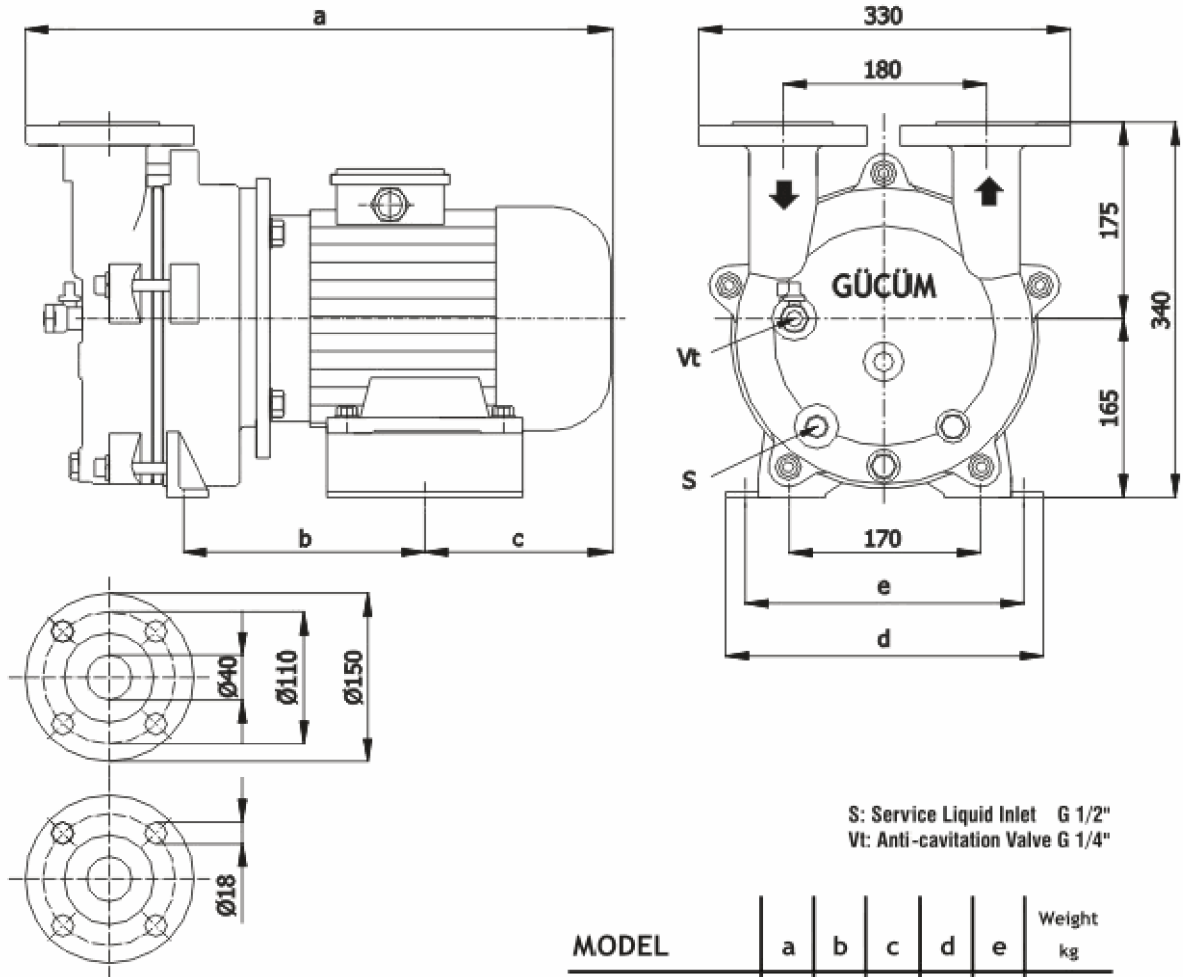
The direction of the rotation is clockwise, when looking from the motor on the pump.



TECHNICAL PROPERTIES

Properties	Unit	GMVP 200/055	GMVP 200/065	GMVP 200/085
Motor Power	kW	2,2	3	4
Motor Speed	rpm	1450		
Max. Service liquid flow	lt/min	13	15	16
Max. Admissible pressure difference	bar	1,1		
Max. Gas temperature	°C	100		
Max. Service liquid temperature	°C	70		
Max. Service liquid viscosity	mm ² /s	4		
Sound pressure level (at 80 mbar suc. pressure)	dB A	70 ±3		
Max. Service liquid density	kg/m ³	1200		
Max. Flow resistance of the heat exchanger	bar	0,2		

OVERALL DIMENSIONS



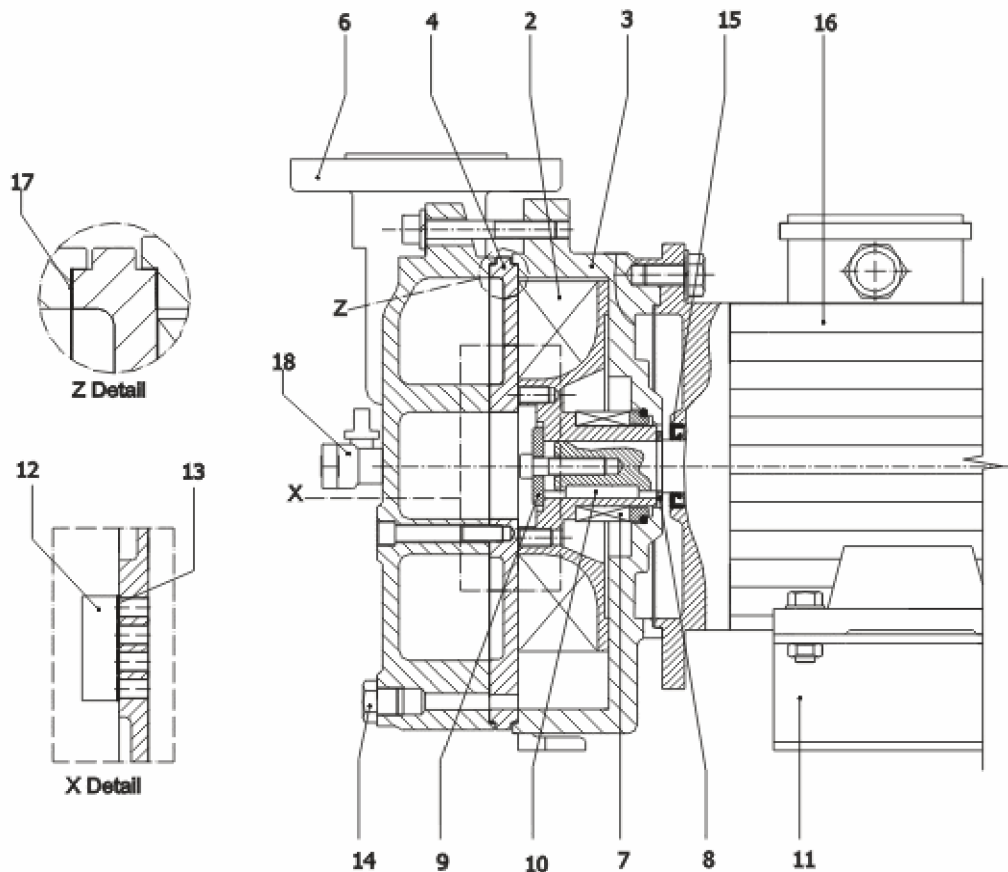
MODEL	a	b	c	d	e	Weight kg
GMVP 200/055	520	165	185	285	255	55
GMVP 200/065	535	180	185	285	255	61
GMVP 200/085	570	200	190	310	280	72

MATERIALS

Part Name	Standard Construction	Stainless Steel Construction
Suction&Discharge Casing	GG 25 Cast Iron	AISI 304-AISI 316 St. Steel
Plate	AISI 304 St. Steel	AISI 304-AISI 316 St. Steel
Body	GGG 40 Sph. Cast Iron	AISI 304-AISI 316 St. Steel
Impeller	G Cu Sn 9 Bronze	AISI 304-AISI 316 St. Steel
Mechanical Seal	Si. Carbide/ Carbon/Viton	Cr Ni Mo Steel/Carbon/Viton
Valve	PTFE	PTFE

SECTIONAL DRAWING AND PART LIST

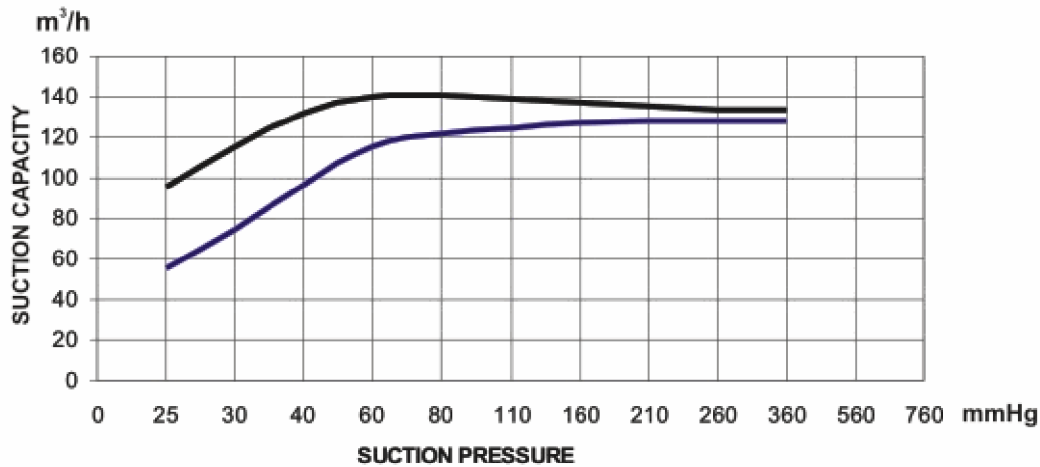
GMVP 200/055 - GMVP 200/065 - GMVP 200/085



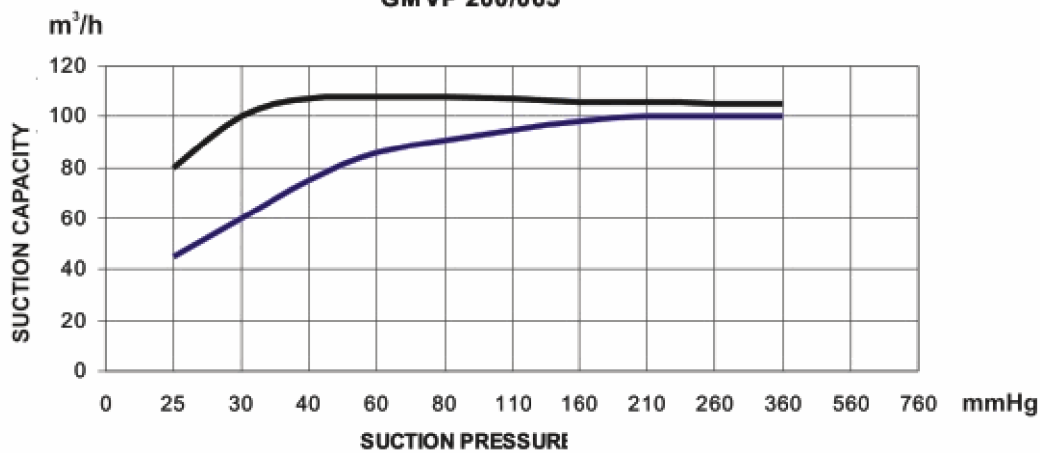
No	Part Name
2	Impeller
3	Body
4	Plate
6	Suction&Discharge Casing
7	Mechanical Seal
8	Impeller Spacer
9	Impeller Cover
10	Key
11	Baseplate
12	Valve Cover
13	Valve
14	Plug
15	Gasket
16	Electric Motor
17	Paper Gasket
18	Anti-cavitation Valve

CHARACTERISTIC CURVES

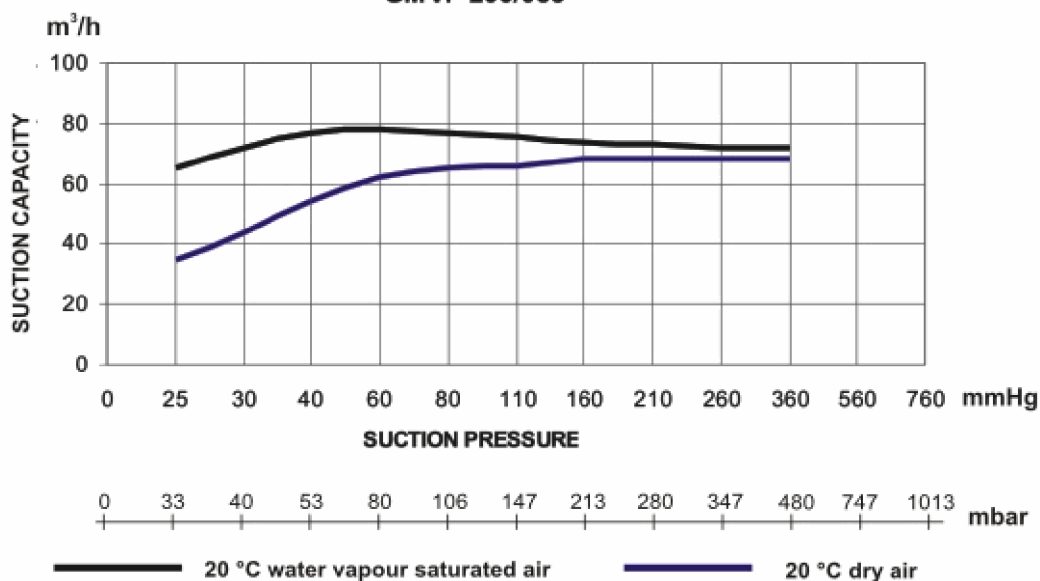
GMVP 200/085



GMVP 200/065



GMVP 200/055



The capacities shown at the graph are for 760 mmHg atmosphere pressure and service liquid temperature 15 °C . Tolerance of the curves are 10% .