

LIQUID RING VACUUM PUMPS

Monoblock

GMVP 120/030 - GMVP 120/050

Pressure Range : 33 - 1013 mbar

Suction Capacity : 5 - 52 m³/h

GÜCÜM Single Stage Liquid Ring Vacuum Pumps are used for pumping dry and wet gases, small quantities of liquid can be handled. They are used in the areas at which vacuum needed between the pressures 1013 to 33 mbar.

GÜCÜM Single Stage Liquid Ring Vacuum Pumps have the below features:

- * Able to pump every kind of gases and vapours,
- * Able to handle small quantities of liquid with gases,
- * Oil-free, no need to lubrication,
- * Pumped gas do not touch the oil,
- * Minimum maintenance with high efficiency,
- * No metallic contact of the rotating parts,
- * Shaft not contact with the medium,
- * Works quiet and reduced vibration,
- * Nearly everywhere used with suitable material choices.

Service Liquid

During pump working, service liquid must be supplied to replenish the liquid ring and to cool the pump (generally water is used). The exhausted liquid could be used again after separating the gas inside of it.

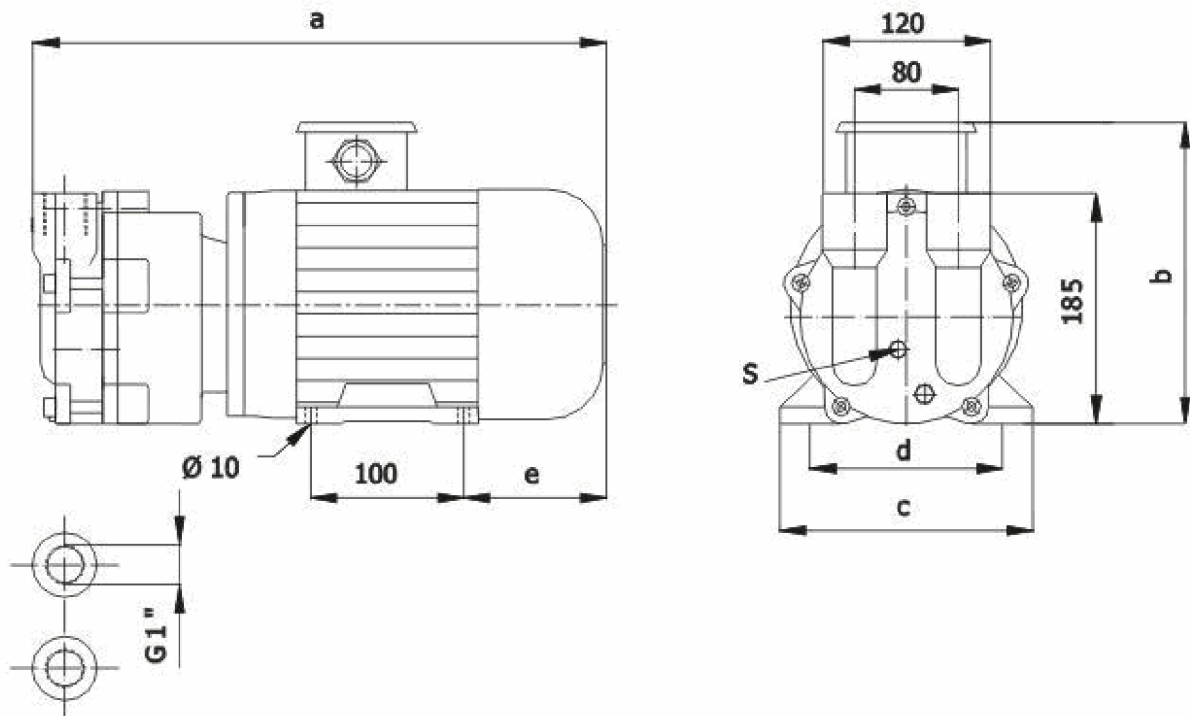
The direction of the rotation is clockwise, when looking from the motor on the pump.



TECHNICAL PROPERTIES

Properties	Unit	GMVP 120/030	GMVP 120/050
Motor Power	kW	0,75	1,5
Motor Speed	rpm	2850	
Max. Service liquid flow	lt/min	4	6
Max. Admissible pressure difference	bar	1,1	
Max. Gas temperature	°C	100	
Max. Service liquid temperature	°C	70	
Max. Service liquid viscosity	mm ² /s	4	
Sound pressure level (at 80 mbar suc. pressure)	dB A	69 ±3	
Max. Service liquid density	kg/m ³	1200	
Max. Flow resistance of the heat exchanger	bar	0,2	

OVERALL DIMENSIONS



S: Service Liquid Inlet G 1/4"

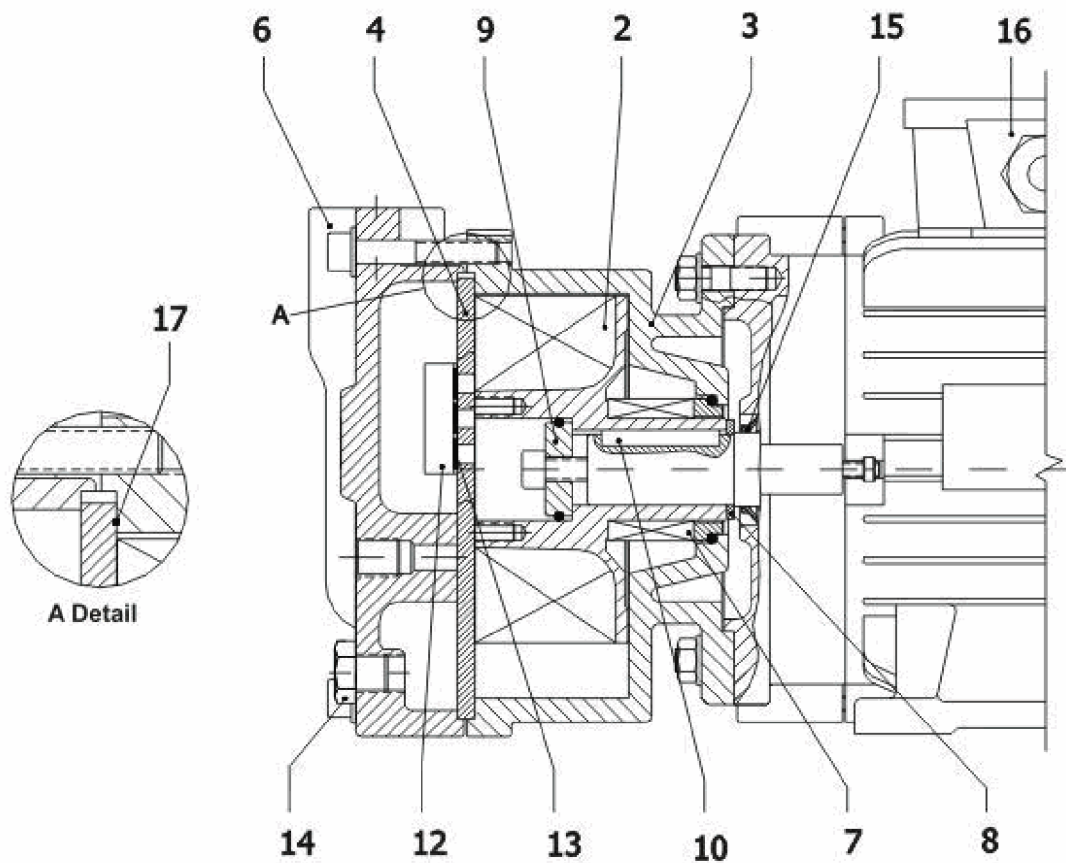
MODEL	a	b	c	d	e	Weight kg
GMVP 120/030	365	200	160	125	88	18
GMVP 120/050	405	215	180	140	102	23

MATERIALS

Part Name	Standard Production	Stainless Steel
Suction&Discharge Casing	GG 25 Cast Iron	AISI 304-AISI 316 St. Steel
Plate	AISI 304 Stainless Steel	AISI 304-AISI 316 St. Steel
Body	GGG 40 Sph. Cast Iron	AISI 304-AISI 316 St. Steel
Impeller	G Cu Sn 9 Bronze	AISI 304-AISI 316 St. Steel
Mechanical Seal	Si. Carbide/ Carbon/Viton	Cr Ni Mo Steel/Carbon/Viton
Valve	PTFE	PTFE

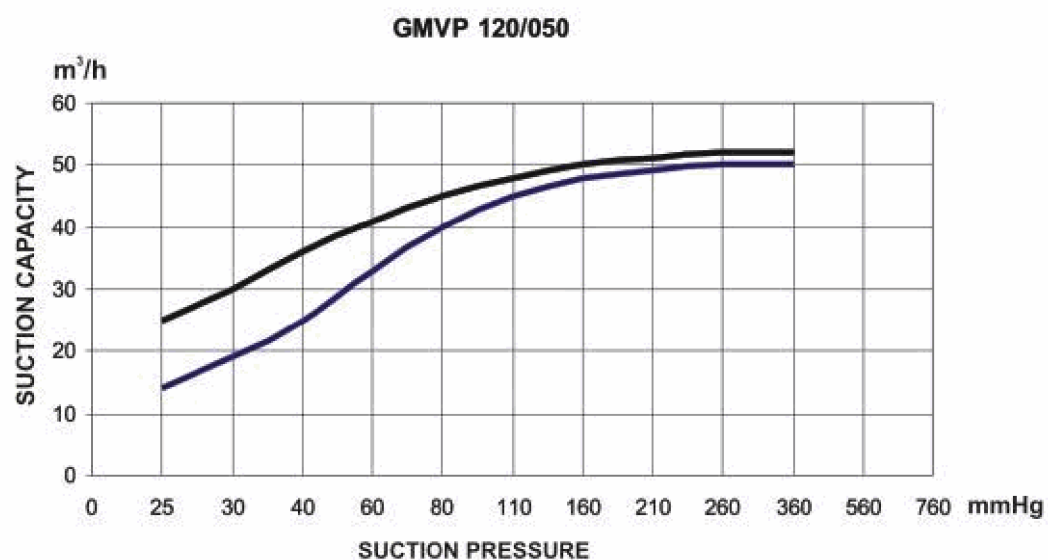
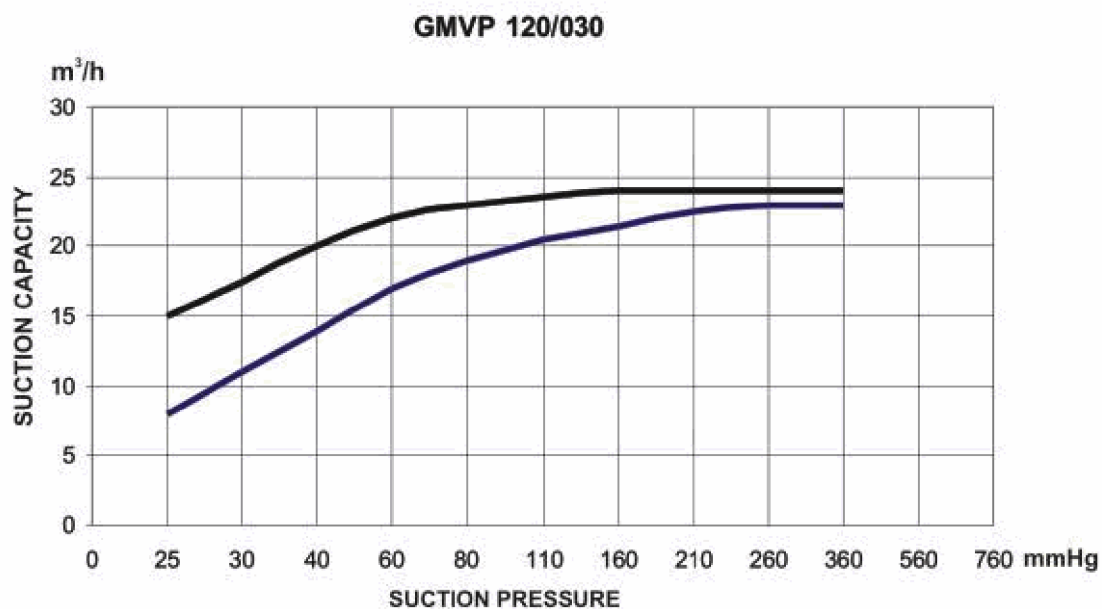
SECTIONAL DRAWING AND PART LIST

GMVP 120/030 - GMVP 120/050



No	Part Name
2	Impeller
3	Body
4	Plate
6	Suction&Discharge Casing
7	Mechanical Seal
8	Impeller Spacer
9	Impeller Cover
10	Key
12	Valve Cover
13	Valve
14	Plug
15	Gasket
16	Electric Motor
17	Paper Gasket

CHARACTERISTIC CURVES



0 33 40 53 80 106 147 213 280 347 480 747 1013 mbar

— 20 °C water vapour saturated air — 20 °C dry air

The capacities shown at the graph are for 760 mmHg atmosphere pressure and service liquid temperature 15 °C .
Tolerance of the curves are 10% .